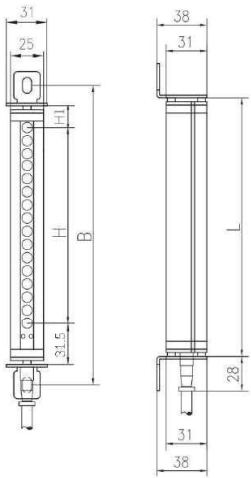
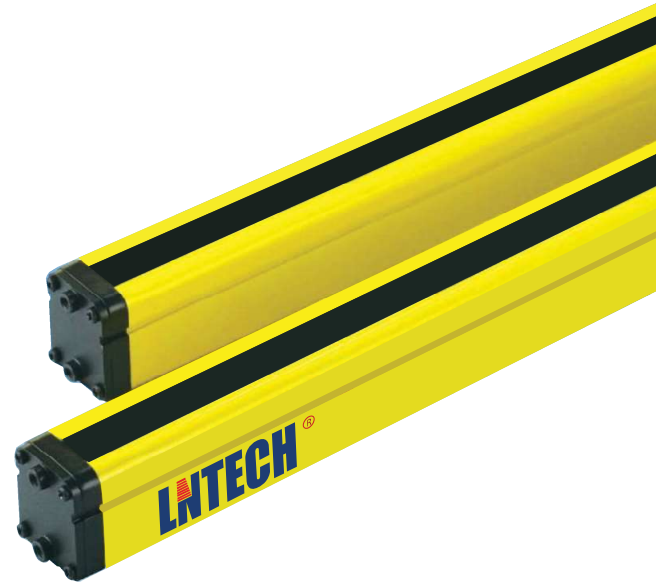


MC**series safety light curtain****WELDEX**
ROBOTIC WELDING SOLUTION**Dimension**

- H : protection height
 H1 = 16.5mm(10mm) ,
 26.5mm(20mm) ,
 46.5mm (40mm) ;
 H1 : the distance from upper 1st
 beam to the upper end cover:
 16.5mm(ling axis pitch: 10mm),
 26.5mm(ling axis pitch: 20mm),
 46.5mm(ling axis pitch: 40mm);
 L : sensor housing height;
 B : L+31mm





**Features**

- Convenient to mount and wiring , complete range of models;
- Perfect self-checking function;
- Good immunity to the surrounding lights and electromagnetic;
- Good performance of anti-vibration, water and dust;
- LED Intuitive indication of the sensor's status;
- Optical synchronization applied to save mounting time.

Parameters

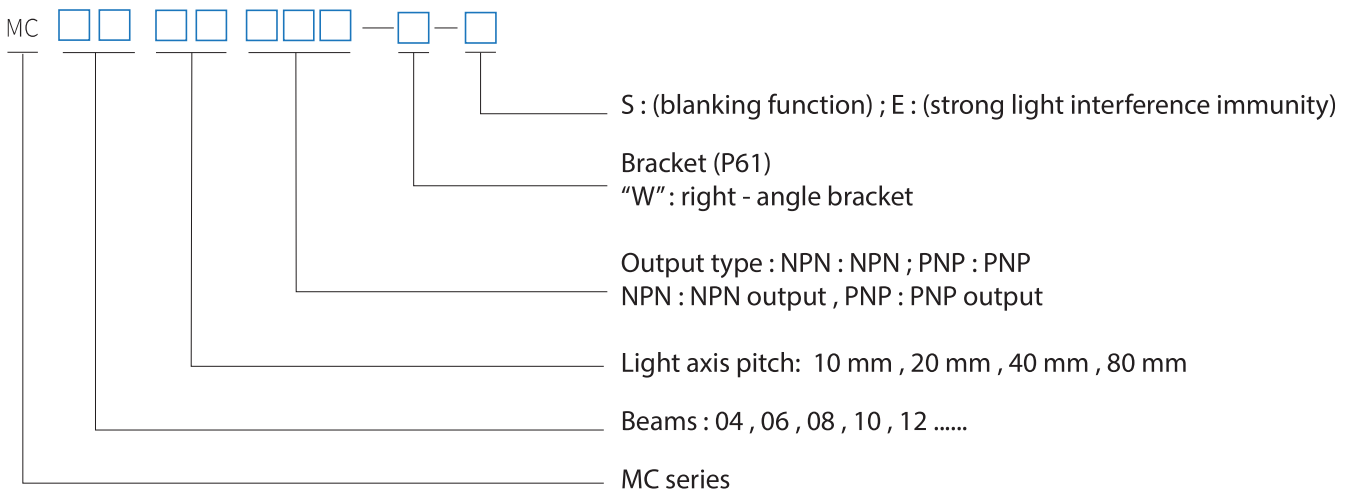
| Protective range | standard | strong anti-light interference/blanking function |
|----------------------|--|--|
| | 0~6000mm | 0~3000mm |
| Protective height | Light axis pitch× (beams-1) | |
| Light axis pitch | 10mm, 20mm, 40mm, 80mm | |
| Detection capability | 19mm, 29mm, 49mm, 89mm | |
| Power supply | DC12V~24V | |
| Working current | <200mA | |
| Loading current | <200mA | |
| Response time | <20ms | |
| DC | >99% | |
| MTTF d | 120a | |
| Safety level | PL c (EN ISO 13849) | |
| Sealing level | IP65 | |
| Operation temp. | -10°C ~ +55°C | |
| Humidity | 20°C, RH ≤85% | |
| Immunity to light | 10000 Lux (Angle of incidence ≥5°) | |
| Anti-vibration | Frequency:10~55Hz, Amplitude:0.35mm | |
| Impact resistance | 10 g , 16 ms , X , Y , Z / 1000times at X,Y,Z axis | |

Standard Configuration

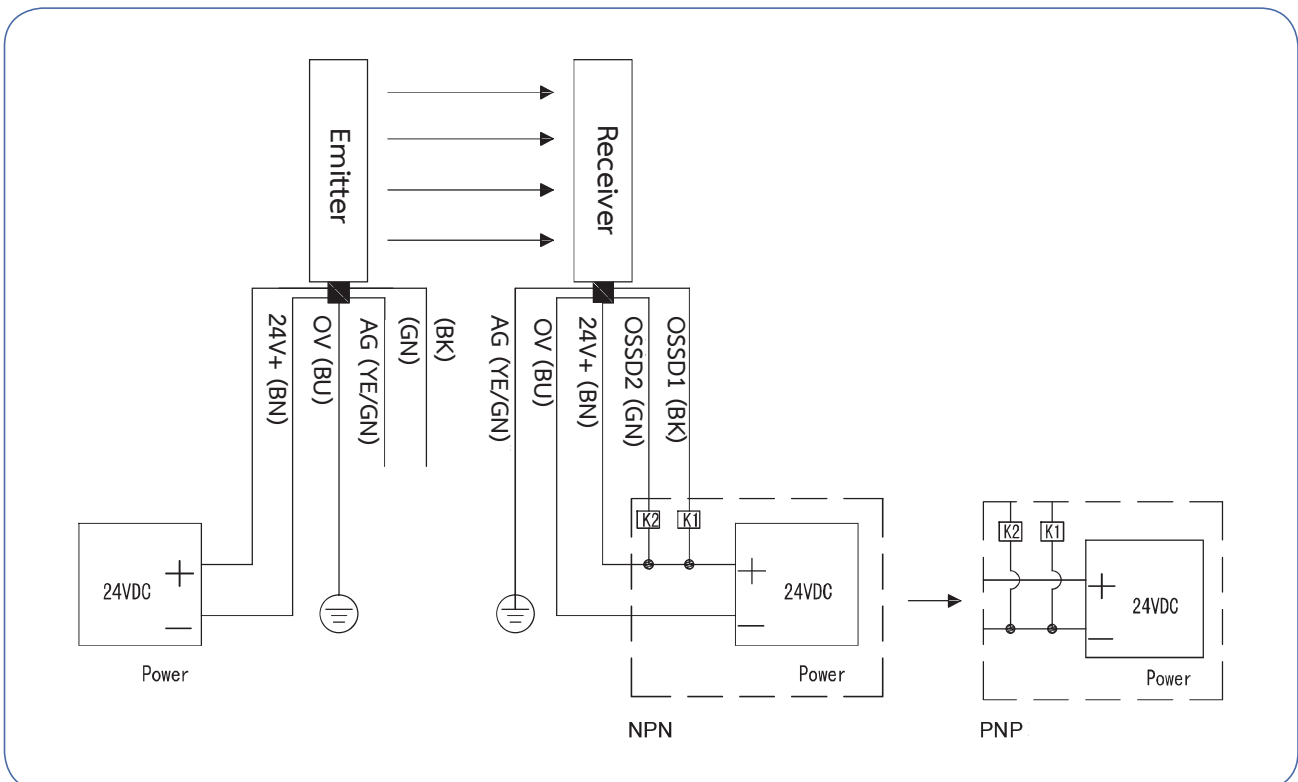
| | | | | |
|---|------------|---|---|---|
|  | |  |  |  |
| Sensors | | Controller | Signal Cables | Bracket |
| EmitterX1 | ReceiverX1 | X1 | 3mX1 , 8mX1 | page 61 |

Note: signal cable length can be order

Specification



Wiring Diagram



Model Selection

| 10mm | | | | 20mm | | | | 40mm | | | |
|---------------|-------|------|------|---------------|-------|------|------|---------------|-------|------|------|
| Specification | Beams | H | L | Specification | Beams | H | L | Specification | Beams | H | L |
| MC1610 | 16 | 150 | 198 | MC0820 | 8 | 140 | 198 | MC0440 | 4 | 120 | 198 |
| MC2010 | 20 | 190 | 238 | MC1220 | 12 | 220 | 278 | MC0640 | 6 | 200 | 278 |
| MC2410 | 24 | 230 | 278 | MC1620 | 16 | 300 | 358 | MC0840 | 8 | 280 | 358 |
| MC2810 | 28 | 270 | 318 | MC2020 | 20 | 380 | 438 | MC1040 | 10 | 360 | 438 |
| MC3210 | 32 | 310 | 358 | MC2420 | 24 | 460 | 518 | MC1240 | 12 | 440 | 518 |
| MC3610 | 36 | 350 | 398 | MC2820 | 28 | 540 | 598 | MC1440 | 14 | 520 | 598 |
| MC4010 | 40 | 390 | 438 | MC3220 | 32 | 620 | 678 | MC1640 | 16 | 600 | 678 |
| MC4410 | 44 | 430 | 478 | MC3620 | 36 | 700 | 758 | MC1840 | 18 | 680 | 758 |
| MC4810 | 48 | 470 | 518 | MC4020 | 40 | 780 | 838 | MC2040 | 20 | 760 | 838 |
| MC5210 | 52 | 510 | 558 | MC4420 | 44 | 860 | 918 | MC2240 | 22 | 840 | 918 |
| MC5610 | 56 | 550 | 598 | MC4820 | 48 | 940 | 998 | MC2440 | 24 | 920 | 998 |
| MC6010 | 60 | 590 | 638 | MC5220 | 52 | 1020 | 1078 | MC2640 | 26 | 1000 | 1078 |
| MC6410 | 64 | 630 | 678 | MC5620 | 56 | 1100 | 1158 | MC2840 | 28 | 1080 | 1158 |
| MC6810 | 68 | 670 | 718 | MC6020 | 60 | 1180 | 1238 | MC3040 | 30 | 1160 | 1238 |
| MC7210 | 72 | 710 | 758 | MC6420 | 64 | 1260 | 1318 | MC3240 | 32 | 1240 | 1318 |
| MC7610 | 76 | 750 | 798 | MC6820 | 68 | 1340 | 1398 | MC3440 | 34 | 1320 | 1398 |
| MC8010 | 80 | 790 | 838 | MC7220 | 72 | 1420 | 1478 | MC3640 | 36 | 1400 | 1478 |
| MC8410 | 84 | 830 | 878 | MC7620 | 76 | 1500 | 1558 | MC3840 | 38 | 1480 | 1558 |
| MC8810 | 88 | 870 | 918 | MC8020 | 80 | 1580 | 1638 | MC4040 | 40 | 1560 | 1638 |
| MC9210 | 92 | 910 | 958 | MC8420 | 84 | 1660 | 1718 | MC4240 | 42 | 1640 | 1718 |
| MC9610 | 96 | 950 | 998 | MC8820 | 88 | 1740 | 1798 | MC4440 | 44 | 1720 | 1798 |
| MC10010 | 100 | 990 | 1038 | MC9220 | 92 | 1820 | 1878 | MC4640 | 46 | 1800 | 1878 |
| MC10410 | 104 | 1030 | 1078 | MC9620 | 96 | 1900 | 1958 | MC4840 | 48 | 1880 | 1958 |
| MC10810 | 108 | 1070 | 1118 | | | | | 80mm | | | |
| MC11210 | 112 | 1110 | 1158 | | | | | MC0480 | 04 | 240 | 358 |
| MC11610 | 116 | 1150 | 1198 | | | | | MC0580 | 05 | 320 | 438 |
| MC12010 | 120 | 1190 | 1238 | | | | | MC0680 | 06 | 400 | 518 |
| MC12410 | 124 | 1230 | 1278 | | | | | MC0780 | 07 | 480 | 598 |
| MC12810 | 128 | 1270 | 1318 | | | | | MC0880 | 08 | 560 | 678 |
| MC13210 | 132 | 1310 | 1358 | | | | | MC0980 | 09 | 640 | 758 |
| MC13610 | 136 | 1350 | 1398 | | | | | MC1080 | 10 | 720 | 838 |
| MC14010 | 140 | 1390 | 1438 | | | | | | | | |
| MC14410 | 144 | 1430 | 1478 | | | | | | | | |
| MC14810 | 148 | 1470 | 1518 | | | | | | | | |
| MC15210 | 152 | 1510 | 1558 | | | | | | | | |

