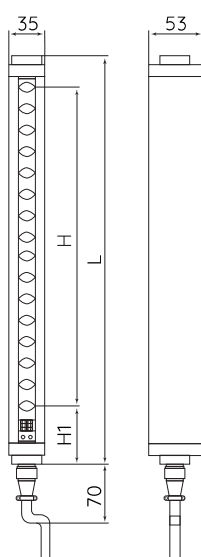
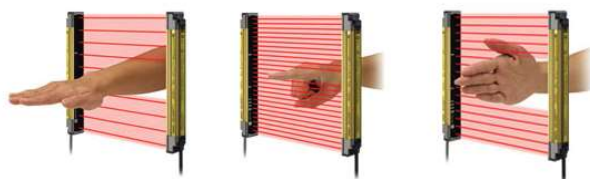


## SNA/B/C series safety light curtain



### Dimension

- L : sensor height
- H : protection height
- H1 = 55mm.
- H1 : distance from 1st beam to bottom cover
- : light axis pitch
- : beam
- : specification







### Features

- Simple mounting and wiring, complete range of models;
- Perfect self-checking function;
- Good immunity to the surrounding lights and electromagnetic;
- Good performance of anti-vibration, water and dust;
- Configured controllers provide double relay contacts output, NPN\*2/PNP\*2 output available for order;
- Intuitive indication of the sensor's status;
- Double sides protection with S controller;
- SNC with pnp\*2 safety monitoring output, NPN\*2 is available.

# Technical Parameters

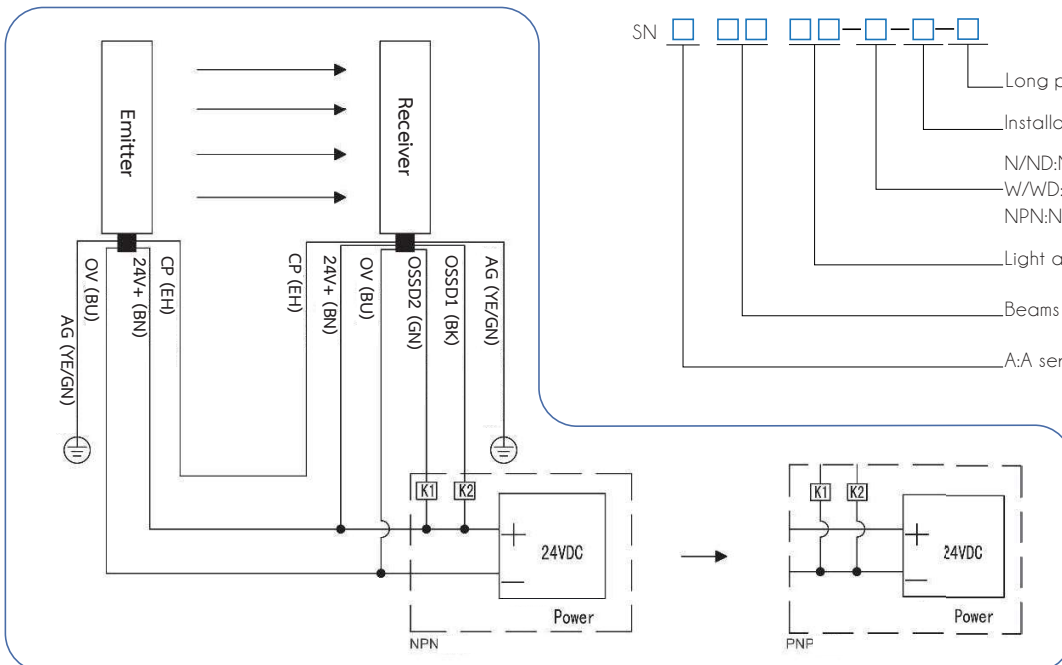
Series	A Series		B/C Series	
Protective range	0~3000mm		0~8000 mm, 5~40000mm	
Protective height	Light axis pitch x (beams-1)			
Light axis pitch	20mm	40mm	80mm	
Detection capability	30mm	50mm	100mm	
Power supply	DC12V-24V			
Working current	<200mA			
Loading current	<200mA			
Response time	<10ms			
DC	>99%			
MTTFd	120a			
Sealing level	IP65			
Operation temp.	-10°C~+55°C			
Humidity	20°C, RH ≤85%			
Immunity to light	10000Lux (Angle of incidence ≥5°)			
Anti-vibration	Frequency: 10-55Hz, Amplitude: 0.35mm			
Impact resistance	15g, 16ms, X,Y,Z /1000times at X,Y,Z axis			

## Standard Configuration

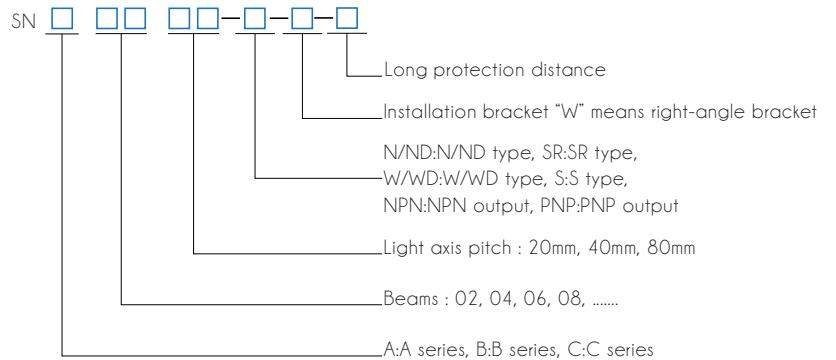
Guard Type					
	Sensors		Controller	Signal Cables	Bracket
(one side)	Emitter×1	Receiver×1	×1	A : 2m×1, 4m×1 B/C : 2m×1, 6m×1	page 60
(two side)	Emitter×2	Receiver×2	S type×1	A : 2m×1, 3m×1, 4m×1, 5m×1 B/C : 2m×1, 4m×1, 6m×1, 8m×1	

Note: Signal cables length can be ordered, N/ND/W/W/D/SR type controller can be selectable.

## Wiring Diagram



## Specification

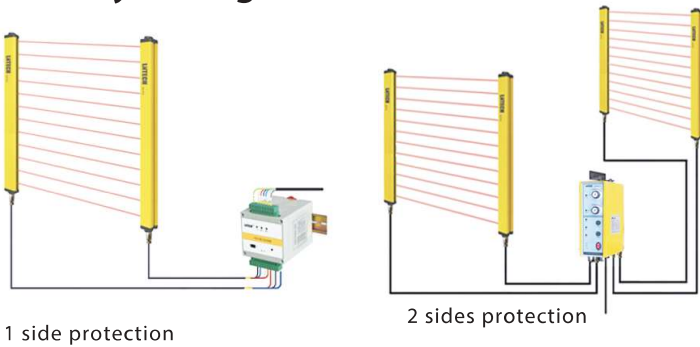


# Models Selection

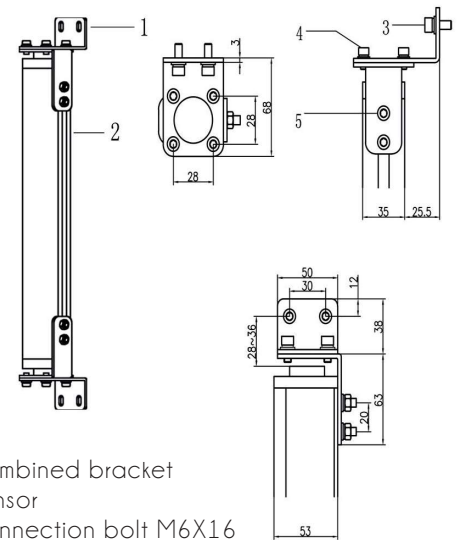
20mm				40mm			80mm		
Beams	Specification	H	L	Specification	H	L	Specification	H	L
02							SNA0280	80	225
04				SNA0440	120	225	SNA0480	240	385
06	SNA0620	100	185	SNA0640	200	305	SNA0680	400	545
08	SNA0820	140	225	SNA0840	280	380	SNA0880	560	705
10	SNA1020	180	265	SNA1040	360	465	SNA1080	720	865
12	SNA1220	220	305	SNA1240	440	545	SNA1280	880	1025
14	SNA1420	260	345	SNA1440	520	625	SNA1480	1040	1185
16	SNA1620	300	385	SNA1640	600	705	SNA1680	1200	1345
18	SNA1820	340	425	SNA1840	680	785	SNA1880	1360	1505
20	SNA2020	380	465	SNA2040	760	865	SNA2080	1520	1665
22	SNA2220	420	505	SNA2240	840	945			
24	SNA2420	460	545	SNA2440	920	1025			
26	SNA2620	500	585	SNA2640	1000	1105			
28	SNA2820	540	625	SNA2840	1080	1185			
30	SNA3020	580	665	SNA3040	1160	1265			
32	SNA3220	620	705	SNA3240	1240	1345			
34	SNA3420	660	745	SNA3440	1320	1425			
36	SNA3620	700	785	SNA3640	1400	1505			
40	SNA4020	780	865	SNA4040	1560	1665			
44	SNA4420	860	945	SNA4440	1720	1825			
48	SNA4820	940	1025	SNA4840	1880	1985			
52	SNA5220	1020	1105	SNA5240	2040	2142			
56	SNA5620	1100	1185	SNA5640	2200	2305			
60	SNA6020	1180	1265	SNA6040	2360	2465			
64	SNA6420	1260	1345	SNA6440	2520	2625			
68	SNA6820	1340	1425	SNA6840	2680	2785			
72	SNA7220	1420	1505	SNA7240	2840	2945			

Note: The B series size and specification is same as A series; the C series min. beams 8/4/2 for 20/40/80 light axis pitch, rest same as A series.

## Factory setting



## Bracket



1. Combined bracket
2. Sensor
3. Connection bolt M6X16
4. Angle adjusting screw M6X12
5. "T" Type screw

## SN/ST combined bracket (-Z)

